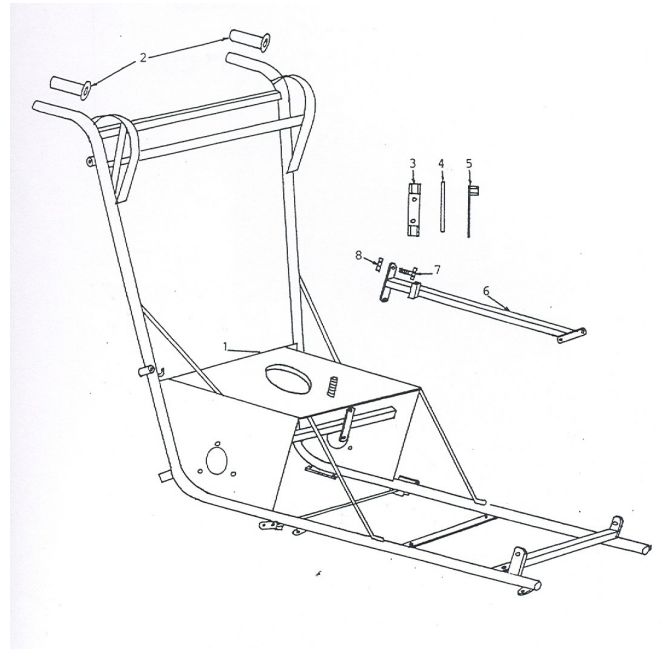




**MOWMATIC 15B6  
1986  
8HP OR 11HP 28" CUT**

## 15B6 GROUP 11: CHASSIS & COMPONENTS

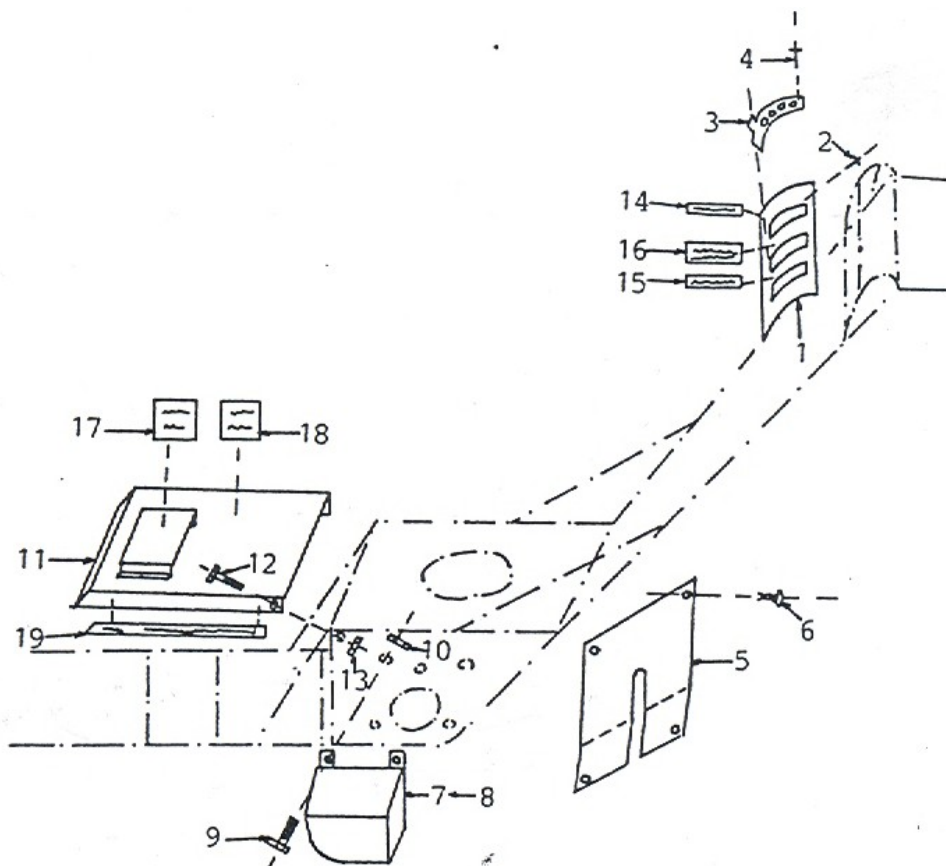
Ref No	Part No	Description
1	151101B6	Chassis <b>NLA</b>
2	AM090	Hand Grip (2) <b>NLA</b>
3	AM006C1	Tube Spanner
4	AM007	Tommy Bar
5	AM005G0	Spark Plug Spanner
6	S151102B6	Reinforcing Strut <b>NLA</b>
7	B0616C	Bracing Strut Attaching bolt (4)
8	N06CN	Bolt Nut (4)



## 15B6 GROUP 12: FAIRINGS & COMPONENTS

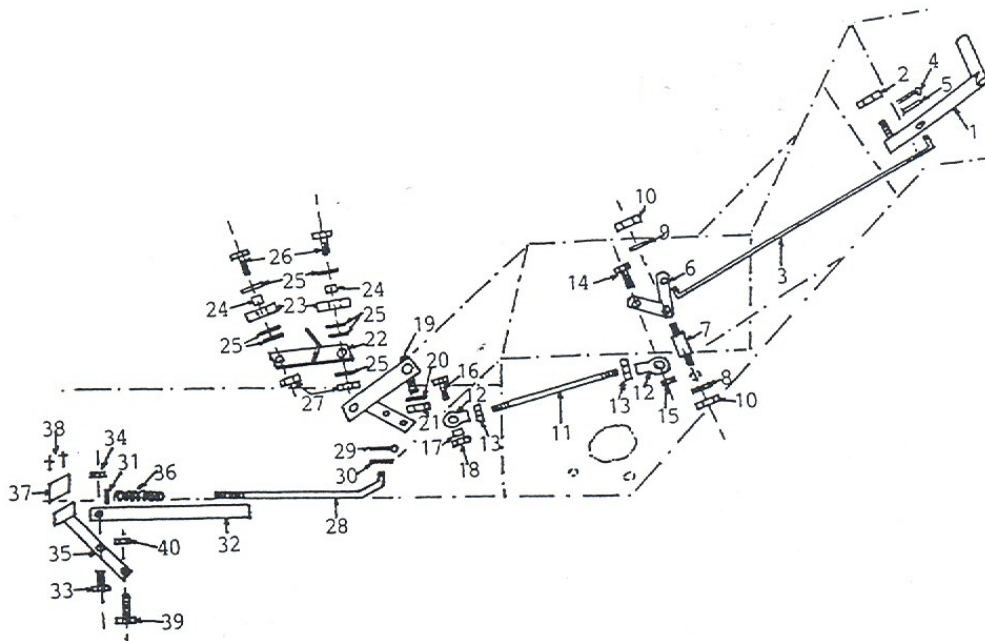
Ref No	Part No	Description
1	S151201B6	Lever Panel <b>NLA</b>
2	PR0207	Panel Pop Rivet (14)
3	S151202B6	Height Adjustment Rack <b>NLA</b>
4	PR0207	Rack Pop Rivet (3)
5	S151203B6	Clutch Plate Cover <b>NLA</b>
6	F01	Cover Fastener (4) <b>NLA</b>
7	S151204B6	Dog Guard L/H <b>NLA</b>
8	S151205B6	Dog Guard R/H <b>NLA</b>
9	B0412C	Dog Guard Retaining Bolt (6)
10	N04CN	Dog Guard Retaining Bolt Nut (6)

Ref No	Part No	Description
11	S151206B6	Belt Guard <b>NLA</b>
12	B0412C	Belt Guard Bolt (3)
13	N04CN	Belt Guard Nut (3)
14	STR17	Transfer – Throttle
15	STR29	Transfer – Cutter & Drive
16	STR30	Transfer – Cutter High – Low
17	TR23	Transfer – Manufactured in Aust <b>NLA</b>
18	STR31	Transfer – 11HP
	STR25	Transfer – 8.5HP
19	STR32	Transfer – Cox Mow Matic L/H
	STR33	Transfer – Cox Mow Matic R/H



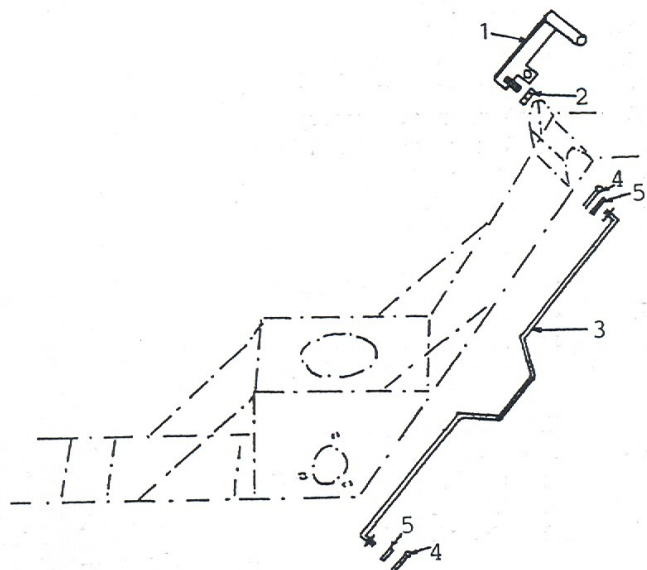
## 15B6 GROUP 13: DISENGAGEMENT & BRAKE MECHANISM

Ref No	Part No	Description	Ref No	Part No	Description
1	S151301B6	Cutter Disengagement Lever <b>NLA</b>	21	N06CN	Pivot Bolt Nut
2	N06CN	Pivot Bolt Nut	22	S151308B6	Bearing Bracket <b>NLA</b>
3	S151302B6	Cutter Disengaging Rod <b>NLA</b>	23	BB205215NS	Belt Tensioner Bearing (2)
4	CP3-220	Disengaging Rod Split Pin (2)	24	SAM095	Belt Tnsr Brg Washer (2) <b>NLA</b>
5	W061216	Disengaging Rod Washer (2)	25	W081816	Belt Tensioner Washer (7)
6	S151303B6	Cutter Lock Link <b>NLA</b>	26	B0832C	Belt Tensioner Bearing Bolt (2)
7	S151304B6	Lock Link Pillar <b>NLA</b>	27	NT08CN	Bearing Bolt Nut (2) <b>NLA</b>
8	W0620HD	Pillar Outer Washer	28	S151309B6	Brake Adjuster Rod <b>NLA</b>
9	W061216	Pillar Inner Washer	29	CP3-220	Brake Rod Split Pin
10	N06CN	Pivot Pillar Nut (2)	30	W051218	Brake Rod Washer <b>NLA</b>
11	S151305B6	Belt Adjuster Rod <b>NLA</b>	31	NS05C	Cutter Brake Adjuster Rod Nut
12	AM020	Tie Rod End (2)	32	AM034H0	Cutter Brake Adjuster Bracket
13	N06F	Lock Nut (2)	33	B0516C	Brake Adjuster Bracket Bolt
14	B0620C	Tie Rod to Trip Link Bolt	34	N05CN	Brake Adjuster Bracket Bolt Nut
15	N06CN	Tie Rod to Trip Link Bolt Nut	35	KIT34	Cutter Brake
16	B0624C	Tie Rod to Short Arm Bolt	36	AM035	Cutter Brake Spring
17	SAM144	Tie Rod Spacer <b>NLA</b>	37	AM033I95	Cutter Brake Pad
18	N06CN	Tie Rod to Short Arm Bolt Nut	38	PR0207	Cutter Brake Pad Pop Rivet (2)
19	S151307B6	Belt & Brake Pivot Bracket <b>NLA</b>	39	B0516C	Brake Pivot Bolt
20	W061216	Pivot Bolt Washer	40	N05CN	Brake Pivot Bolt Nut



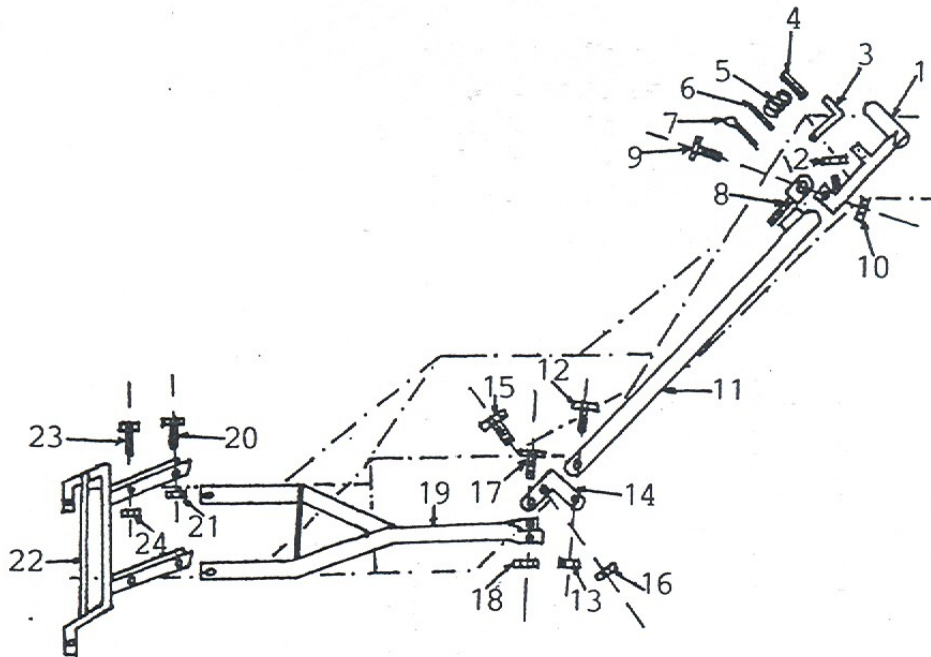
## 15B6 GROUP 15: DRIVE ENGAGING MECHANISM

Ref No	Part No	Description
1	S151501B6	Drive Lever <b>NLA</b>
2	N06CN	Pivot Bolt Nut
3	S151502B6	Drive Rod <b>NLA</b>
4	CP3-220	Engagement Rod Split Pin (2)
5	W061216	Engagement Rod Washer (2)



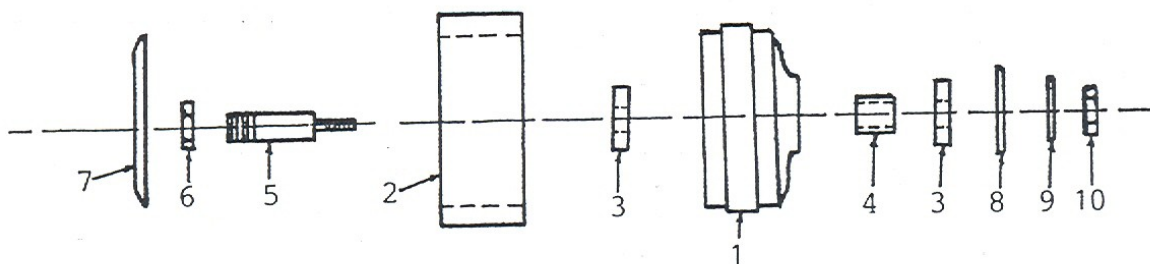
## 15B6 GROUP 16: FRONT AXLE & HEIGHT ADJUSTMENT MECHANISM

Ref No	Part No	Description	Ref No	Part No	Description
1	S151601B6	Height Lever <b>NLA</b>	13	N05CN	Bolt Nut
2	N06CN	Pivot Bolt Nut	14	S151606B6	Rear Pivot Link <b>NLA</b>
3	S151602B6	Locking Pin <b>NLA</b>	15	B0520C	Pivot Bolt
4	S151603B6	Roll Pin <b>NLA</b>	16	N05CN	Pivot Bolt Nut
5	S151604B6	Locking Pin Spring <b>NLA</b>	17	B0620C	Link Lower Bolt
6	W061216	Locking Pin Spring Washer	18	N06CN	Link Lower Bolt Nut
7	CP2-512	Locking Pin Split Pin	19	S151607B6	'Y' Conn Rod <b>NLA</b>
8	AM010J6	Adjuster Threaded <b>NLA</b>	20	B0620C	Front Conn Rod Bolt (2)
9	B0616C	Lever to Adjuster bolt	21	N06CN	Front Conn Rod Nut (2)
10	N06CN	Bolt Nut	22	151608B6	Front Axle <b>NLA</b>
11	S151605B6	Connecting Rod <b>NLA</b>	23	B0620C	Front Axle Pivot Bolt (2)
12	B0516C	Connecting Rod Bolt	24	N06CN	Front Axle Pivot Bolt Nut (2)



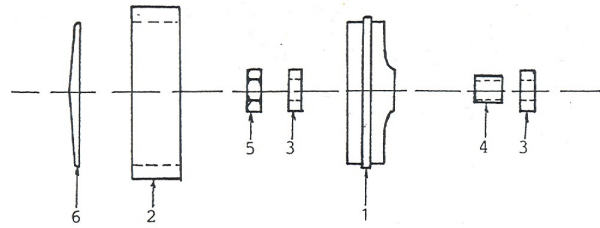
## 15B6 GROUP 17: FRONT WHEEL COMPONENTS

Ref No	Part No	Description
1	S151701B6	Front Wheel Hub (2) <b>NLA</b>
2	S151702B6	Front Wheel Tyre (2) <b>NLA</b>
3	BB1735	Front Wheel Bearing (4) <b>NLA</b>
4	S151703B6	Front Wheel Bearing Spacer (2) <b>NLA</b>
5	S151704B6	Front Wheel Axle (2) <b>NLA</b>
6	NT10F	Front Wheel Nut (2) <b>NLA</b>
7	S151705B6	Front Wheel Hub Cap (2) <b>NLA</b>
8	S151706B6	Front Wheel Dust Cover (2) <b>NLA</b>
9	W061216	Washer (2)
10	N06CN	Axle Nut (2)



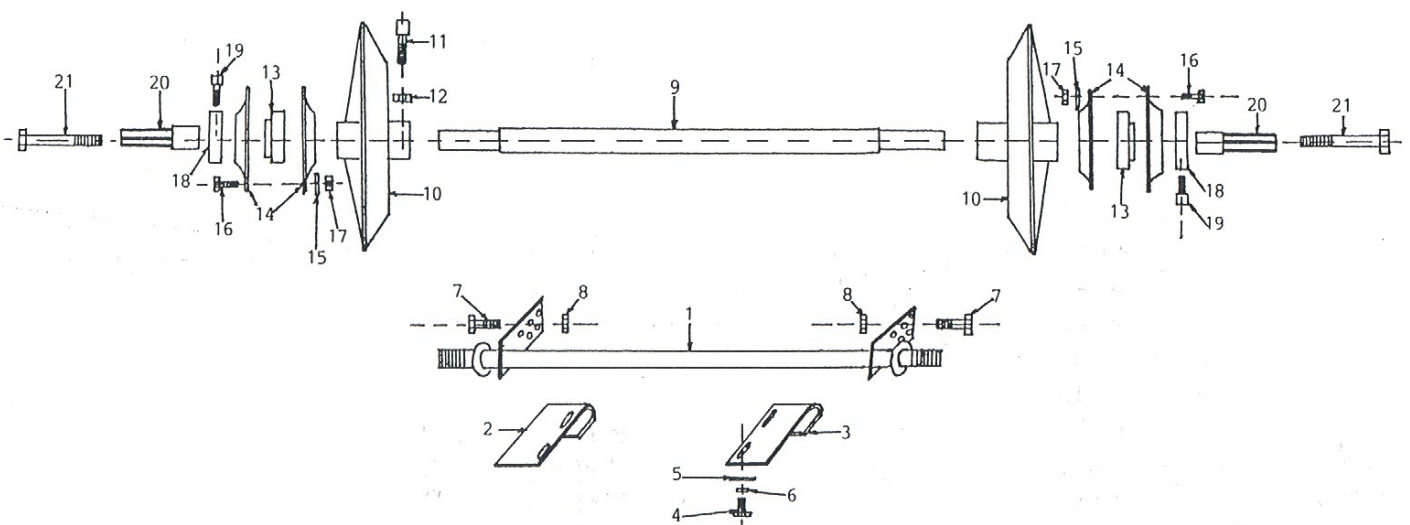
## 15B6 GROUP 18: REAR WHEEL COMPONENTS

Ref No	Part No	Description
1	S151801B6	Rear Wheel Hub (2) <b>NLA</b>
2	S151802B6	Rear Wheel Tyre (2) <b>NLA</b>
3	BB204212N	Rear Wheel Bearing (4)
4	AM021	Rear Wheel Bearing Spacer (2)
5	NHM20x1.5T	Rear Wheel Nut (2)
6	S151803B6	Rear Wheel Hub Cap (2) <b>NLA</b>



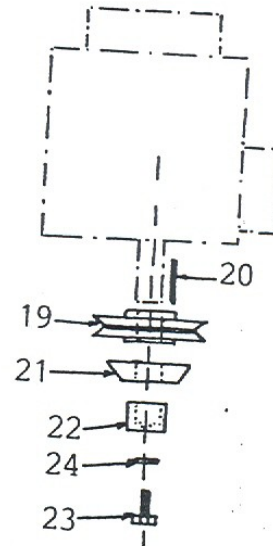
## 15B6 GROUP 19: DRIVE COMPONENTS

Ref No	Part No	Description
1	S151901B6	Rear Axle <b>NLA</b>
2	S151902B6	Axle Bracket L/H <b>NLA</b>
3	S151903B6	Axle Bracket R/H <b>NLA</b>
4	B0612C	Bracket Bolt (4)
5	W061216	Bracket Washer (4)
6	W06S	Lock Washer (4)
7	B0620C	Pivot Bolt (2)
8	N06CN	Pivot Bolt Nut (2)
9	S151904B6	Intershaft <b>NLA</b>
10	AM075	Clutch Plate (2) <b>NLA</b>
11	SS0612W	Clutch Plate Set Screw (4)
12	N06C	Set Screw Lock Nut (4) <b>No Longer Required</b>
13	BB25SAN	Intershaft Bearing (2)
14	AM024	Intershaft Bearing Flange (4)
15	W061216	Bearing Flange Spacer Washer (6)
16	B0616C	Bearing Flange Bolt (6)
17	N06CN	Bearing Flange Bolt Nut (6)
18	AM025	Intershaft Bearing Lock Collar (2)
19	GS0505C	Lock Collar Set Screw (2)
20	S151905B6	Drive Dog (2) <b>NLA</b>
21	B0864F	Drive Dog Bolt (2) <b>NLA</b>



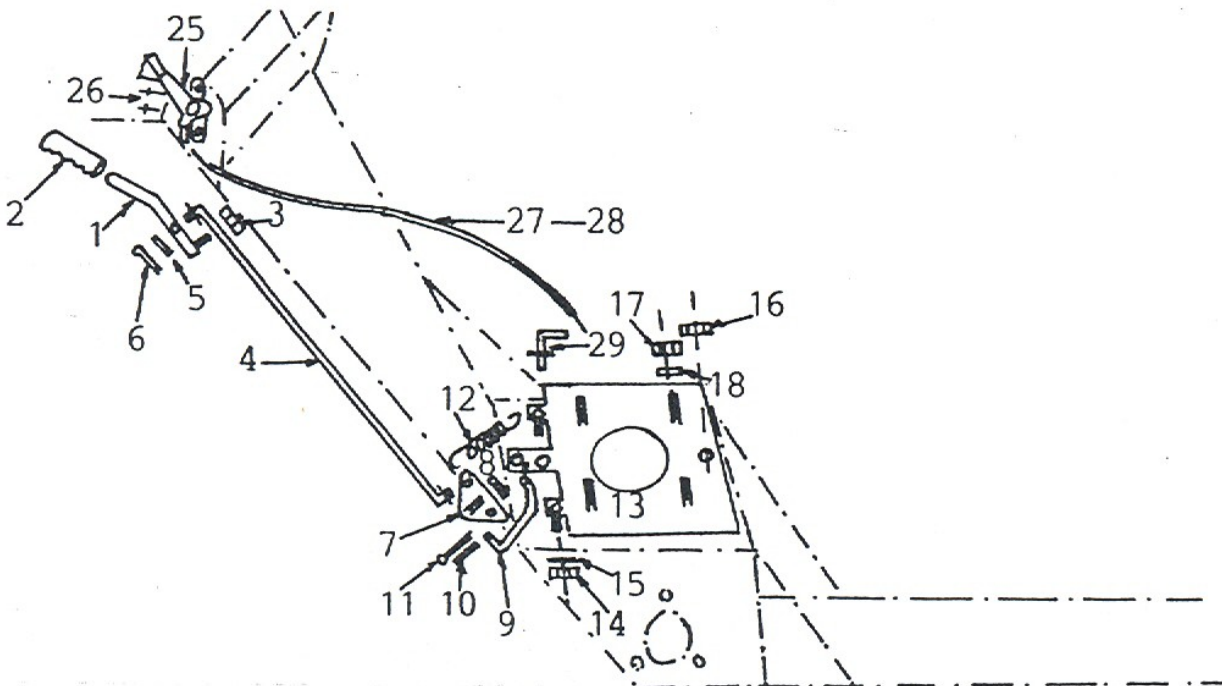
## 15B6 GROUP 20: CLUTCH LINKAGES, ENGINE MTG. PLATE & THROTTLE COMPONENTS

Ref No	Part No	Description
1	S152001B6	Clutch Lever <b>NLA</b>
2	AM089	Handgrip
3	N06CN	Pivot Bolt Nut
4	S152002B6	Clutch Rod Long <b>NLA</b>
5	W051216	Washer (2)
6	CP3-220	Clutch Rod Long Split Pin (2)
7	S152003B6	Pivot Plate <b>NLA</b>
8	N06CN	Pivot Plate Bolt Nut
9	S152004B6	Clutch Rod Short <b>NLA</b>
10	W061216	Washer (2)
11	CP3-220	Clutch Rod Short Split Pin (2)
12	S152005B6	Clutch Spring <b>NLA</b>
13	S152006B6	Clutch Mount Plate <b>NLA</b>
14	N06CN	Clamping Lug Nut (2)
15	W0620HD	Clamping Lug Nut Washer (2)
16	NT08CN	Pivot Nut <b>NLA</b>
17	N05C	Engine Mounting Nut (4)
18	W05S	Engine Lock Washer (4) <b>NLA</b>
19	AM234	Engine Pulley <b>NLA</b>
20	S152008B6	Engine Pulley Key <b>NLA</b>
21	SCC1648K-1	Clutch Cone <b>NLA</b>
22	SKIT36	Clutch Cone Retainer <b>NLA</b>
23	SH0720F	Clutch Cone Retainer Bolt
24	W07S	Lock Washer
25	AM088	Throttle Lever
26	PR0308	Throttle Lever Pop Rivet (2)
27	152010B6	Throttle Wire Outer Casing <b>NLA</b>
28	152011B6	Throttle Wire <b>NLA</b>
29	152012B6	Neutral Pin <b>NLA</b>



### 11HP Honda Engines Only

152013B6	Engine Mounting Plate <b>NLA</b>
SC0516F	Engine Mounting Screw (2) <b>NLA</b>



# 15B6 GROUP 21: 28" MOWING ATTACHMENT COMPONENTS

Ref No	Part No	Description
1	SKIT58	Cutter Cover <b>NLA</b>
2	B0616C	Cover Mounting Bolt (4)
3	W0620HD	Bolt Washer (4)
4	N06CN	Bolt Nut (4)
5	S152102B6	Cutter Bearing Housing <b>NLA</b>
6	B0620C	Bearing Housing Mounting Bolt (4)
7	W0620HD	Bolt Washer (4)
8	N06CN	Bolt Nut (4)
9	AM030	Cutter Pulley
10	W203902	Nut Washer
11	NHM20x1.5T	Cutter Pulley Nut
12	SK09	Cutter Pulley Key
13	152103B6	Cutter Shaft <b>NLA</b>
14	BB205215NS	Cutter Bearing (2)
15	S152104B6	Bearing Spacer <b>NLA</b>
16	AM086	28" Cutter Bar Stepped <b>NLA</b>
17	AM081	Saddle Clamp <b>NLA</b>
18	B0616C	Bar & Clamp Bolt (4)
19	N06CN	Bar & Clamp Bolt Nut (4)
20	STR09	Cutter Cover Transfer L/H <b>NLA</b>
21	STR10	Cutter Cover Transfer R/H <b>NLA</b>
22	AM259	Windrower
23	B0412C	Windrower Pivot Bolt (2)
24	N04CN	Bolt Nut (2)
25	AM052E1	Windrower Hinged Bracket
26	B0412C	Windrower Hinged Bracket Bolt (2)
27	N04CN	Bolt Nut (2)
28	SAM053D7	Windrower Anti-Vibration Strip <b>NLA</b>
29	SVB62	Cutter Belt <b>NLA</b>
30	152105B6	Cutter Cover Guard <b>NLA</b>
31	N05CN	Cover Guard Nut (3)
32	AM101	Windrower Spring Plate <b>NLA</b>
33	W051216	Cover Guard Washer (3)

